

HANDLE SHANKS

Glass-fibre reinforced polyamide based (PA) technopolymer, matte finish.

COVERS

- ECA.T: polyamide based (PA) technopolymer, in Elecolors colours and white similar to RAL 9002 (CLEAN), glossy finish, press-fit assembly. Supplied, removable by a screwdriver.
Available also as accessory sold separately (see table).

ANTI-ROTATION TUBE ASSEMBLING SYSTEM

Special expansion-assembly system between the tube and the handle shanks to prevent rotation during operation.

STANDARD EXECUTIONS

Pass-through holes for cylindrical-head screws with hexagon socket, hexagonal-head screws or standard lock nuts.

- **ETH-EP:** aluminium tube, epoxy resin coating, metalflake graphite colour, matte finish. Highly resistant to wear, scratches and chemical agents. Avoid continuous and prolonged contact with boiling water or steam. Side shanks in grey-black colour.

- **ETH-AN:** anodised aluminium tube, natural colour. Side shanks in grey-black colour.

- **ETH-CLEAN:** aluminium tube, coating in white colour similar to RAL 9002, glossy finish. Side shanks in white colour similar to RAL 9002.

Suggested tightening torque:

- back mounting with plain holes: 8 [Nm]
- front mounting with plain or threaded holes: 15 [Nm].

ERGONOMY AND DESIGN

The tube dimensions offer a good and comfortable grip; the antirotation assembly system of the handle shanks to the tube allows a firm and secure manoeuvrability during operations.

TECHNICAL DATA

Tensile stress: F2 values reported in the table are the result of breaking tests carried out with the appropriate dynamometric equipment under the test conditions shown in the figure with ambient temperature.

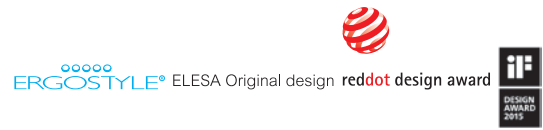
SPECIAL EXECUTIONS ON REQUEST

Different lengths.

ACCESSORIES ON REQUEST

- DS-ETH: glass-fibre reinforced polyamide based (PA) technopolymer spacers to increase the distance between the handle and the fitting surface.

- ECA.T: polyamide based (PA) technopolymer closing caps, in Elecolors colours and white similar to RAL 9002 (CLEAN), glossy finish, press-fit assembly.

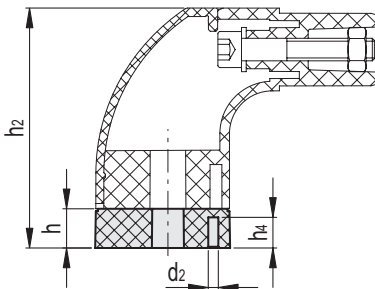


ECA.T

Code	Description	Cover for
29871-*	ECA.T1-*	ETH.28
29872-*	ECA.T2-*	ETH.35
29871	ECA.T 1-CLEAN	ETH.28-CLEAN
29872	ECA.T 2-CLEAN	ETH.35-CLEAN

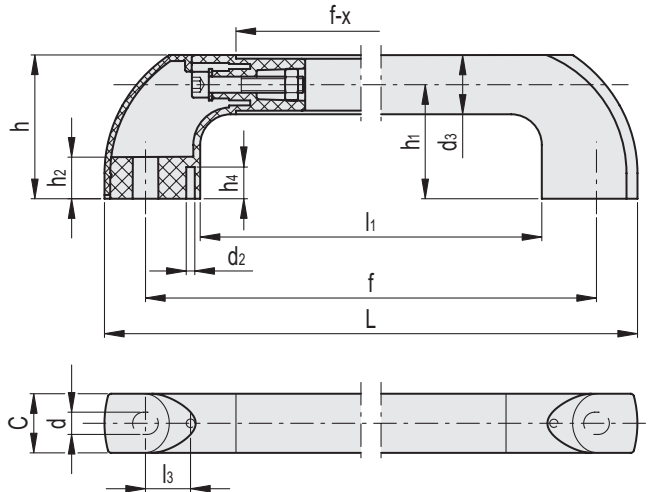
* Complete with colour index (C1, ..., C17).

DS-ETH



Code	Description	d2	h	h2	h4	For handle
15251	DS-ETH.35-16	4	16	101.5	12.5	ETH.35
15253	DS-ETH.35-32	4	32.5	118	15	ETH.35
15256	DS-ETH.35-16-CLEAN	4	16	101.5	12.5	ETH.35
15258	DS-ETH.35-32-CLEAN	4	32.5	118	15	ETH.35





* Complete with colour index, example: 262151-C2 ETH.28-300-EP-C2

C1 RAL7021
 C2 RAL2004
 C3 RAL7035
 C4 RAL1021
 C5 RAL5024
 C6 RAL3000
 C17 RAL6017

ETH-EP

Code	Description	d3	fz1	L	d	h	h1	h2	h4	l1	l3	d2	C	x	F2 [N]*	F2 [N]#	⚖️
262151-*	ETH.28-300-EP-*	27.5	300	339	10.5	68	54	20	15	248	20.3	4	28	86	2400	2800	235
262155-*	ETH.28-400-EP-*	27.5	400	439	10.5	68	54	20	15	348	20.3	4	28	86	2000	2300	268
262161-*	ETH.28-500-EP-*	27.5	500	539	10.5	68	54	20	15	448	20.3	4	28	86	1800	2000	301
262165-*	ETH.28-600-EP-*	27.5	600	639	10.5	68	54	20	15	548	20.3	4	28	86	1200	1500	335
262171-*	ETH.28-700-EP-*	27.5	700	739	10.5	68	54	20	15	648	20.3	4	28	86	900	1200	368
262211-*	ETH.35-300-EP-*	34.5	300	357	10.5	85	67.5	28	15	251	18.5	4	35	91	3000	3100	397
262215-*	ETH.35-400-EP-*	34.5	400	457	10.5	85	67.5	28	15	351	18.5	4	35	91	2700	2800	456
262221-*	ETH.35-500-EP-*	34.5	500	557	10.5	85	67.5	28	15	451	18.5	4	35	91	2500	2600	515
262225-*	ETH.35-600-EP-*	34.5	600	657	10.5	85	67.5	28	15	551	18.5	4	35	91	1900	2100	574
262231-*	ETH.35-700-EP-*	34.5	700	757	10.5	85	67.5	28	15	651	18.5	4	35	91	1900	2100	633
262246-*	ETH.35-1000-EP-*	34.5	1000	1057	10.5	85	67.5	28	15	951	18.5	4	35	91	1200	1400	810

ETH-AN

Code	Description	d3	fz1	L	d	h	h1	h2	h4	l1	l3	d2	C	x	F2 [N]*	F2 [N]#	⚖️
262153-*	ETH.28-300-AN-*	27.5	300	339	10.5	68	54	20	15	248	20.3	4	28	86	2400	2800	235
262157-*	ETH.28-400-AN-*	27.5	400	439	10.5	68	54	20	15	348	20.3	4	28	86	2000	2300	268
262163-*	ETH.28-500-AN-*	27.5	500	539	10.5	68	54	20	15	448	20.3	4	28	86	1800	2000	301
262167-*	ETH.28-600-AN-*	27.5	600	639	10.5	68	54	20	15	548	20.3	4	28	86	1200	1500	335
262173-*	ETH.28-700-AN-*	27.5	700	739	10.5	68	54	20	15	648	20.3	4	28	86	900	1200	368
262213-*	ETH.35-300-AN-*	34.5	300	357	10.5	85	67.5	28	15	251	18.5	4	35	91	3000	3100	397
262217-*	ETH.35-400-AN-*	34.5	400	457	10.5	85	67.5	28	15	351	18.5	4	35	91	2700	2800	456
262223-*	ETH.35-500-AN-*	34.5	500	557	10.5	85	67.5	28	15	451	18.5	4	35	91	2500	2600	515
262227-*	ETH.35-600-AN-*	34.5	600	657	10.5	85	67.5	28	15	551	18.5	4	35	91	1900	2100	574
262233-*	ETH.35-700-AN-*	34.5	700	757	10.5	85	67.5	28	15	651	18.5	4	35	91	1900	2100	633
262248-*	ETH.35-1000-AN-*	34.5	1000	1057	10.5	85	67.5	28	15	951	18.5	4	35	91	1200	1400	810

ETH-CLEAN

Code	Description	d3	fz1	L	d	h	h1	h2	h4	l1	l3	d2	C	x	F2 [N]*	F2 [N]#	⚖️
150911	ETH.28-300-CLEAN	27.5	300	339	10.5	68	54	20	15	248	20.3	4	28	86	2400	2800	235
150913	ETH.28-400-CLEAN	27.5	400	439	10.5	68	54	20	15	348	20.3	4	28	86	2000	2300	268
150915	ETH.28-500-CLEAN	27.5	500	539	10.5	68	54	20	15	448	20.3	4	28	86	1800	2000	301
150917	ETH.28-600-CLEAN	27.5	600	639	10.5	68	54	20	15	548	20.3	4	28	86	1200	1500	335
150919	ETH.28-700-CLEAN	27.5	700	739	10.5	68	54	20	15	648	20.3	4	28	86	900	1200	368
150931	ETH.35-300-CLEAN	34.5	300	357	10.5	85	67.5	28	15	251	18.5	4	35	91	3000	3100	397
150933	ETH.35-400-CLEAN	34.5	400	457	10.5	85	67.5	28	15	351	18.5	4	35	91	2700	2800	456
150935	ETH.35-500-CLEAN	34.5	500	557	10.5	85	67.5	28	15	451	18.5	4	35	91	2500	2600	515
150937	ETH.35-600-CLEAN	34.5	600	657	10.5	85	67.5	28	15	551	18.5	4	35	91	1900	2100	574
150939	ETH.35-700-CLEAN	34.5	700	757	10.5	85	67.5	28	15	651	18.5	4	35	91	1900	2100	633
150941	ETH.35-1000-CLEAN	34.5	1000	1057	10.5	85	67.5	28	15	951	18.5	4	35	91	1200	1400	810

* Maximum working load

Load at breakage

